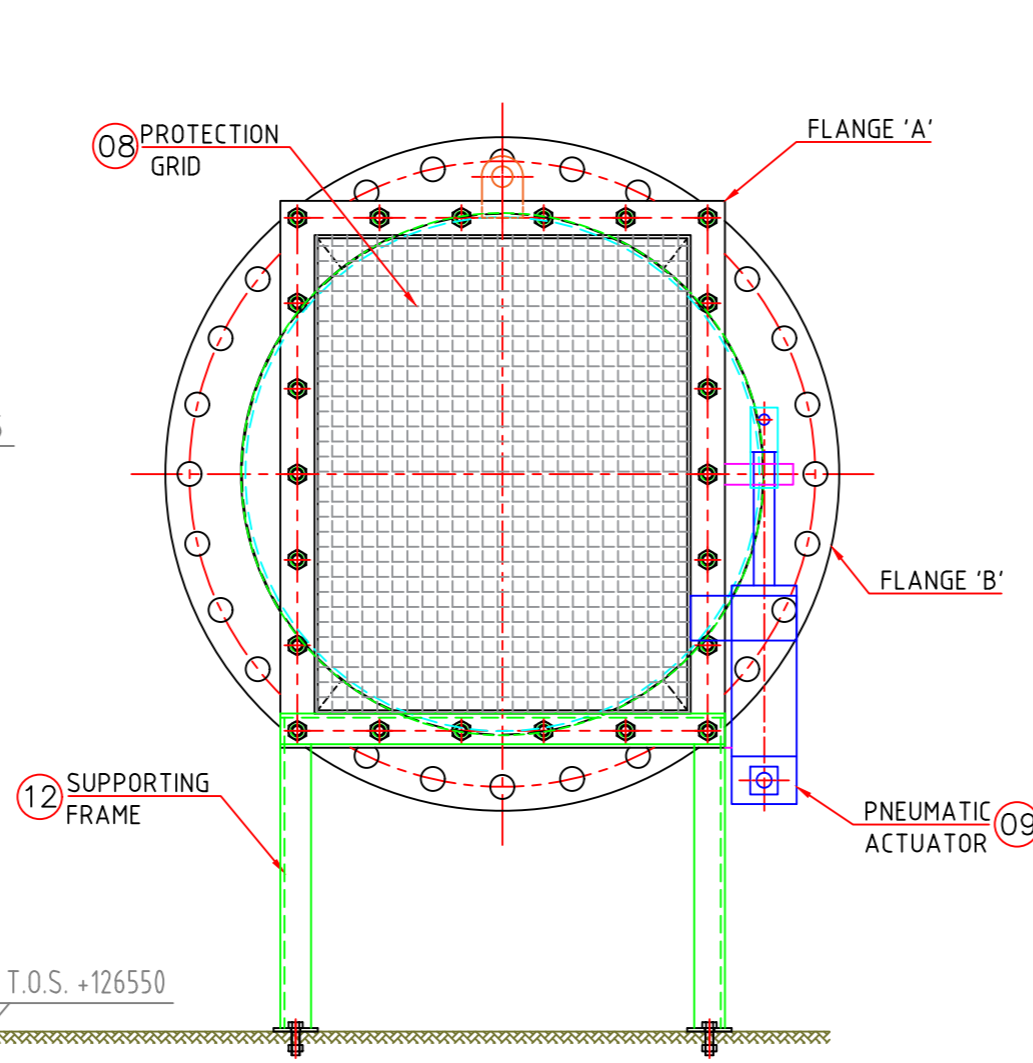
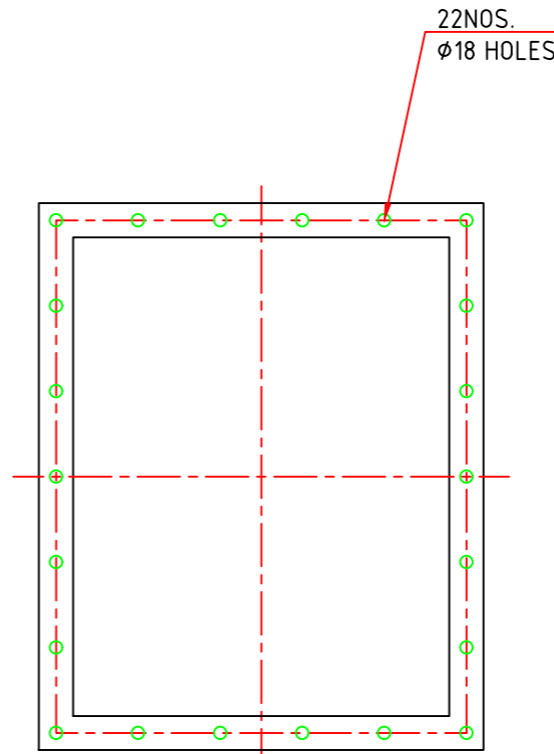


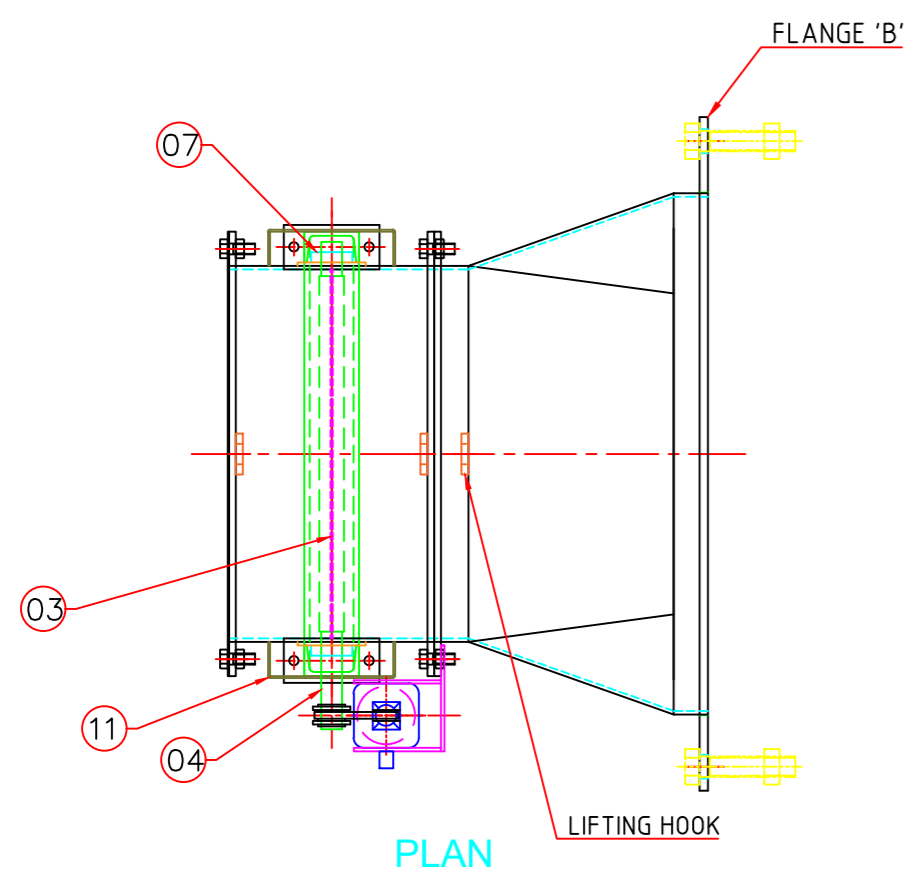
ELEVATION



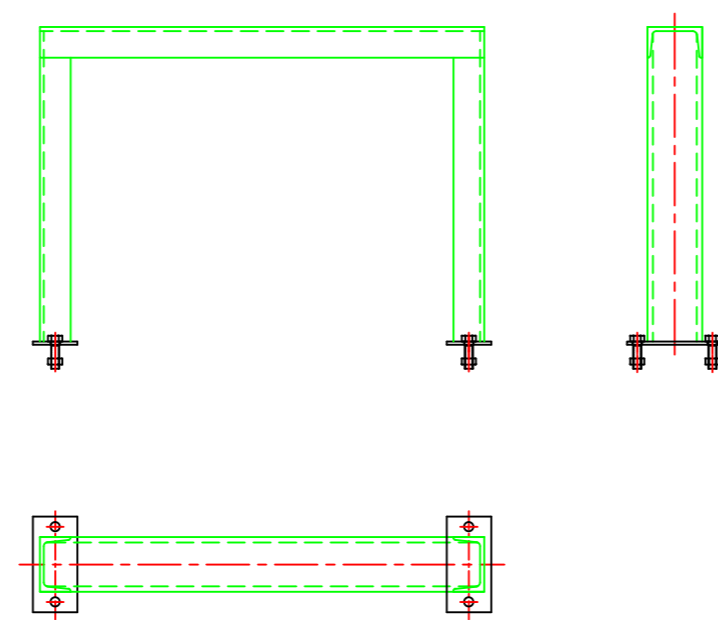
VIEW X-X



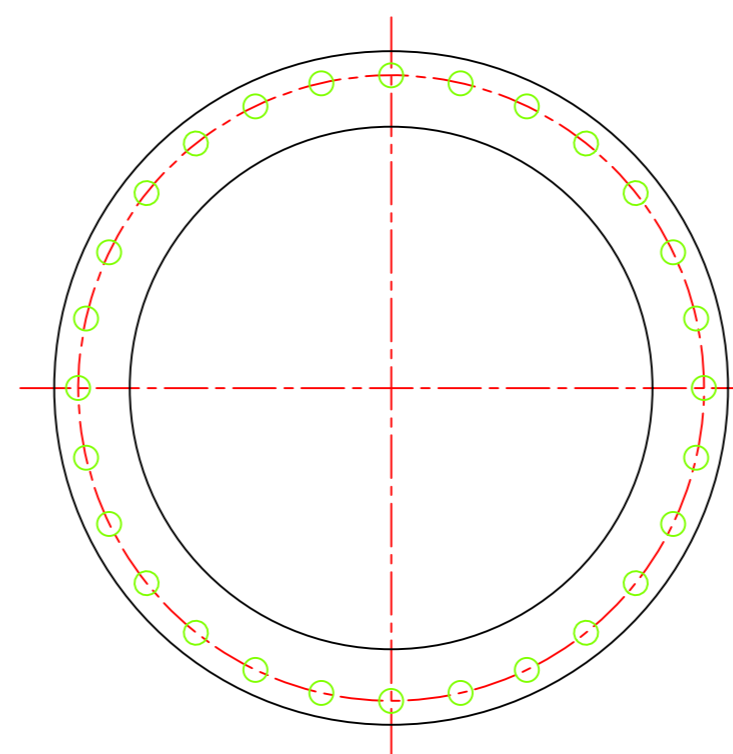
FLANGE 'A' DETAIL
QTY.- 03 NOS.



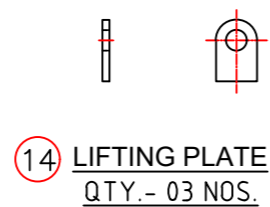
PLAN



12 SUPPORTING FRAME
QTY.- 01 NO.



FLANGE 'B' DETAIL
QTY.- 01 NO.



14 LIFTING PLATE
QTY.- 03 NOS.

14	03	LIFTING PLATE		
13	01	N°2 LIMIT SWITCH		
12	01	SUPPORTING FRAME		
11	02	COVER/GUARD		
10	1LOT	NUT & BOLT		
9	01	PNEUMATIC CYLINDER		
8	01	PROTECTION GRID		
7	1LOT	BEARING		
6	06	LEAVER-2		
5	02	LEAVER-1		
4	03	SHAFT		
3	03	FLAP		
2	01	CONNECTED DUCT		
1	01	DAMPER		
P.NO.	QTY	DESCRIPTION OF ITEM	MOC/THK	WEIGHT

FOURTECKH
ENVIRO (I) PVT. LTD.

CLIENT
CONSULTANT
PROJECT

DRN -
CHKD -
APPD -
SCALE NTS.

TITLE-
GA OF BLEED AIR VALVE

R.N.	DATE	DETAILS	APPD. BY	JOB No.:-	SHEET 10F1	DRG. NO.:- FEI-	REV 0
------	------	---------	----------	-----------	------------	-----------------	-------